

Motion detector

IS 140-2

white
EAN 4007841 608910
Article number 608910



Infrarot-Sensor
140°



Max. 14 m

1000 W

1000 W max. (LED-
fähig)



IP54



Sensor 90° ver.,
180° hor.



2 - 2000 Lux



8 Sek - 35 Min



Ideal 2 m



Energie sparen

3 years

Herstellergarantie

Function description

The classic detector, now with even more class. Infrared motion detector IS 140-2, for indoors and out, ideal for targeted detection close to the building, 140° angle of coverage, reach up to 14 m, selectable time and twilight threshold, sensor turns through 180° and tilts through 90° for exact adjustment of the detection zone.

Technical specifications

Dimensions (L x W x H)	99 x 86 x 82 mm	LED lamps < 2 W	16 W
Manufacturer's Warranty	3 years	LED lamps > 2 W < 8 W	64 W
Settings via	Potentiometers	LED lamps > 8 W	64 W
With remote control	No	Capacitive load in µF	88 µF
Version	white	Technology, sensors	passive infrared, Light sensor
PU1, EAN	4007841608910	Mounting height	1,80 – 3,00 m
Type	Motion detectors	Mounting height max.	3,00 m
Application, place	Outdoors, Indoors	Optimum mounting height	2 m
Application, room	outdoors, front door, all round the building, terrace / balcony, courtyard & driveway	Detection angle	140 °
Colour	white	Angle of aperture	40 °
Colour, RAL	9010	Sneak-by guard	Yes
Includes corner wall mount	No	Capability of masking out individual segments	Yes
Installation site	wall, corner	Electronic scalability	No
Installation	Surface wiring, Wall	Mechanical scalability	No
IP-rating	IP54	Reach, radial	r = 3 m (11 m ²)
Protection class	II	Reach, tangential	r = 14 m (239 m ²)

Motion detector

IS 140-2

white
EAN 4007841 608910
Article number 608910



Technical specifications

Ambient temperature	-20 – 50 °C
Material	Plastic
Mains power supply	230 – 240 V / 50 Hz
Switching output 1, resistive	1000 W
Switching output 1, number of LEDs / fluorescent lamps	6 pcs.
Fluorescent lamps, electronic ballast	430 W
Fluorescent lamps, uncorrected	500 VA
Fluorescent lamps, series-corrected	500 VA
Fluorescent lamps, parallel-corrected	500 VA
Switching output 1, low-voltage halogen lamps	1000 VA

Switching zones	144 switching zones
Twilight setting	2 – 2000 lx
Time setting	8 s – 35 Min.
Basic light level function	No
Main light adjustable	No
Twilight setting TEACH	No
Constant-lighting control	No
Interconnection	Yes
Type of interconnection	Master/master
Interconnection via	Cable

Accessories

EAN 4007841 631765	Corner wall mount 07
EAN 4007841 631864	Corner wall mount 07

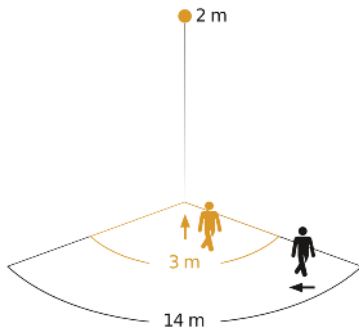
Motion detector

IS 140-2

white
EAN 4007841 608910
Article number 608910

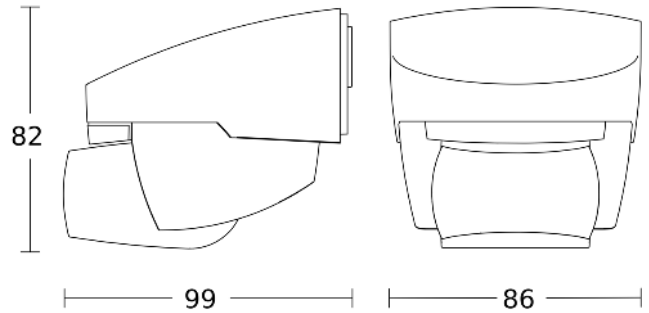


Detection Zone

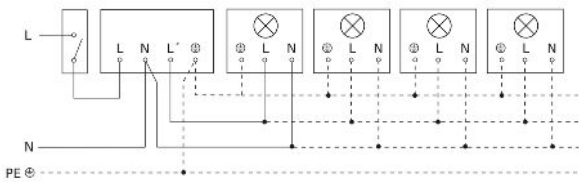


Possible mounting height: 1,80 m - 3,00 m
Orange: radial
Black: tangential

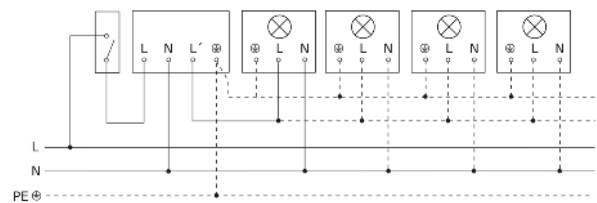
Dimension Drawing



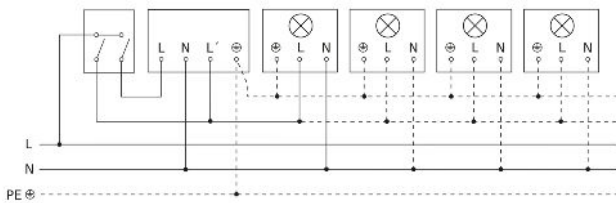
Light without neutral conductor



Light with neutral conductor



Connection using two-circuit switch for manual and automatic operation



Circuit diagram Connection via a changeover switch for continuous and automatic operation

